

SOLENOID OPERATED TEFLON® ISOLATION MIXING VALVES FOR HIGHER FLOW REQUIREMENTS

FEATURES

- Isolated Solenoid
- High Cycle Life
- Minimal Dead Volume
- Fast Response Time
- Vacuum or Pressure Service
- Teflon® Wetted Parts
- All solenoid operators are adjusted for equal flows

SPECIFICATIONS

Series	105T	
Voltage	12 VDC	24 VDC
Power Watts @ 70°F. ¹	8.0	8.0
Currents Amps @ 70°F.	.63	.33
Orifice Dia. Options	.092"	.125"
Metric	2.34mm	3.18mm
Ports ²	1/4-28 Flat Bottom	
Operating Pressure	10 psi	
Lead Wires	15" (381mm) 26 Gauge Teflon® Coated	

DIMENSIONS

No. of Inlets	Body	Solenoid	Length
2	1-1/4 dia	1" dia.	4-1/8"
3	1-1/2" sq.	1" dia.	4-7/8"
4	1-1/2" sq.	1" dia.	4-7/8"
6	1-1/2" hex	1" dia.	5-5/16"

MOUNTING

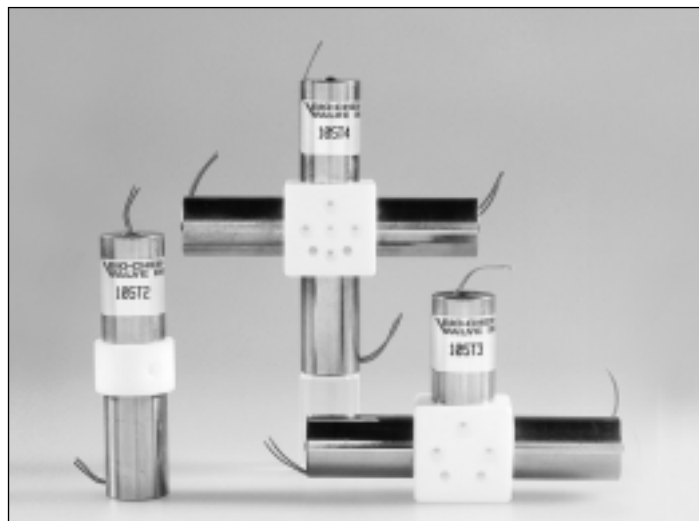
- Clip mounting for 2 inlets.³
- Body mounting for 3 & 4 inlets. Two .156" (4mm) dia. holes at .560" (14.2 mm) centers
- Body mounting for 6 inlets. Two .156" (4mm) dia. holes at 1.500" (38.1mm) centers

[®]Teflon is a registered trademark of DuPont Co.

¹ Lower wattage coils can be furnished depending on customer's electronics and flow requirements.

² For other port configurations, please consult factory.

³ Dimensions of mounting clip can be found on Mounting Accessories and Options Sheet. Additional purchase required.



Installation drawings on back

Two way normally closed. Available with:

- | | |
|----------|----------------------|
| 2 inlets | } Common outlet port |
| 3 inlets | |
| 4 inlets | |
| 6 inlets | |

Flow schemes can be adjusted for one inlet and multiple outlets. These mixing valves are excellent for multi-liquid or gas systems controlling aggressive or high purity fluids.

How to order

Step

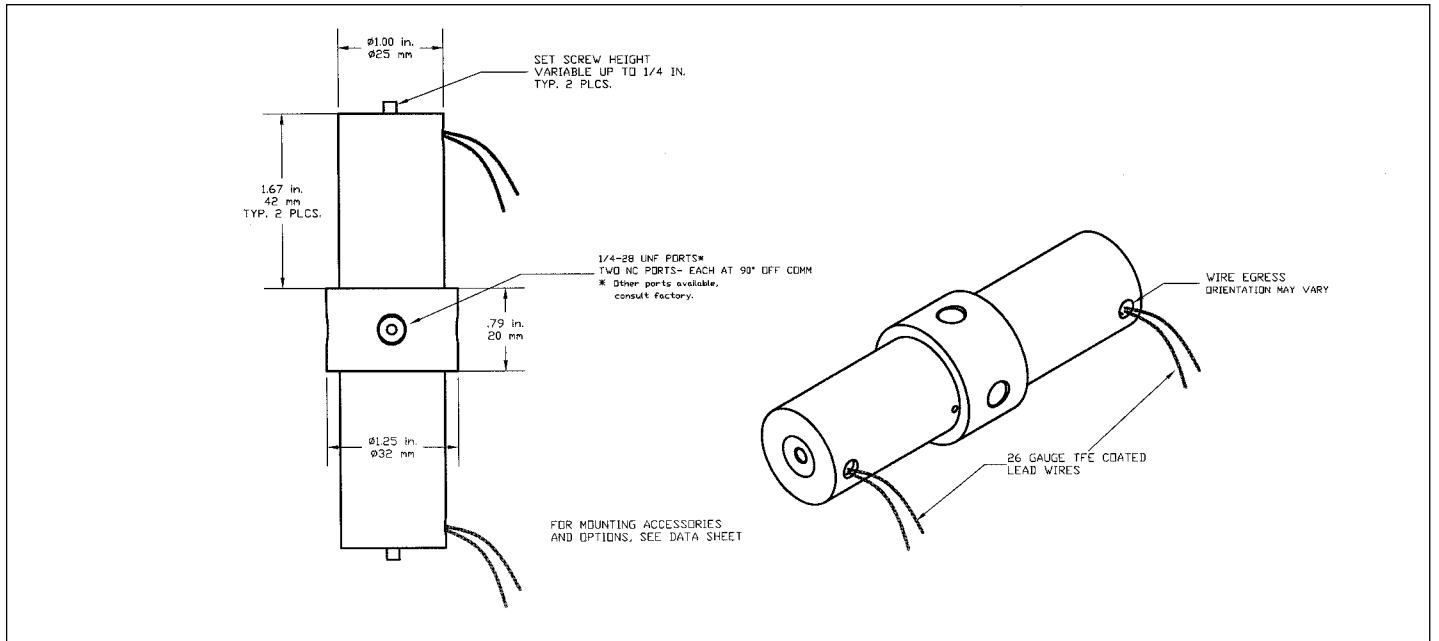
Step	Description	Options
1	Select Valve Size	105
2	Indicate No. of Inlets (All valves have 1 common port)	T2, T3, T4, T6
3	Indicate Voltage	12vdc, 24vdc, 115vac, 220vac
5	Indicate Orifice Diameter	.092", .125"
6	Body Material (Teflon® Standard) ¹	4 (PPS), 5 (PEEK)

¹ Body Materials 4 & 5 are special orders.

Example: P/N **105** **T4** **24** - **125** - **5**
 Valve Size Style Volts Orifice Dia. Body Material

INSTALLATION DIMENSIONS

Series 105T2 Mixing Valve



Series 105T4 Mixing Valve

