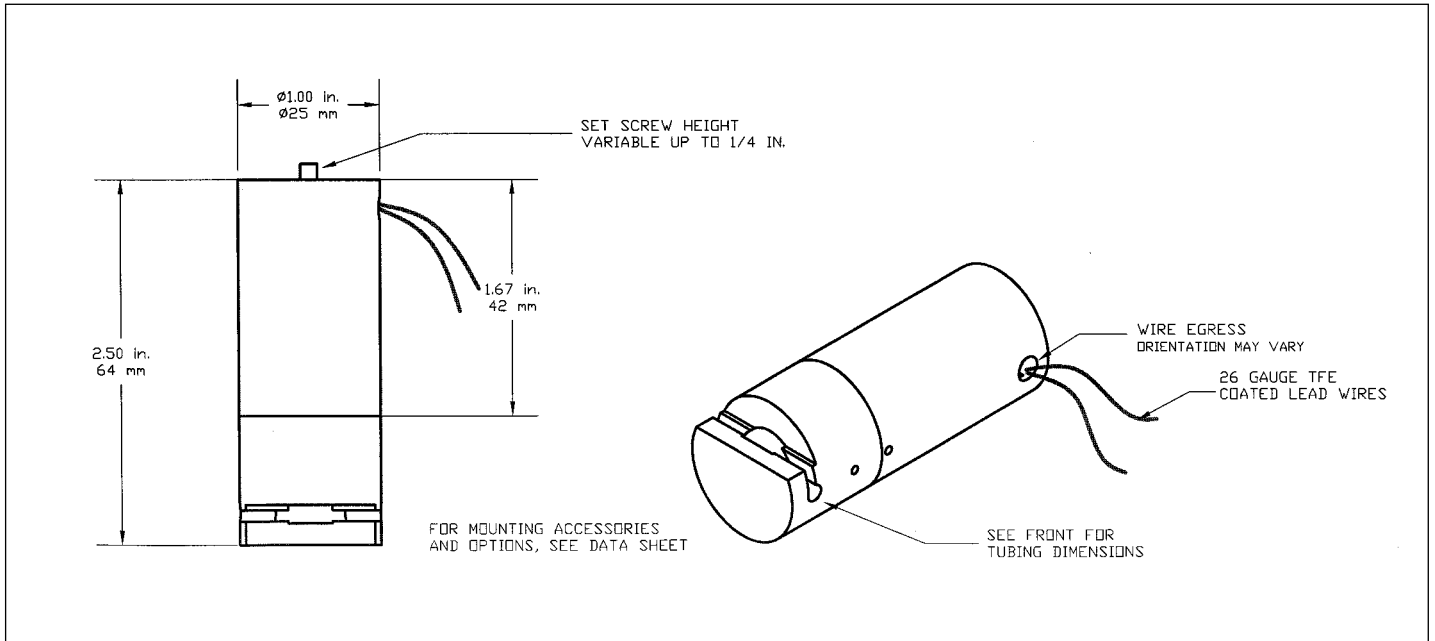


INSTALLATION DIMENSIONS

Series 100P2NC Pinch Valve



Series 100P3MP Pinch Valve

