

SOLENOID OPERATED INERT MANIFOLD WITH REMOVABLE VALVES

FEATURES

- Convenient Servicing
- Low Power Consumption
- Isolated Solenoid
- Continuous Duty
- High Cycle Life
- Zero Dead Volume
- Fast Response Time
- Vacuum or Pressure Service
- Inert Wetted Parts
- No Tools Required
- All solenoid operators are adjusted for equal flows

SPECIFICATIONS

Series	089M w/ 079NC	
Voltage	12 VDC	24 VDC
Power (Watts) @ 70°F	2.6	2.6
Currents Amps @ 70°F	0.22	0.10
Orifice Diameter Options	.032" .80mm	.062" 1.57mm
Manifold Ports	1/4-28 flat bottom x .310" deep (7.9mm) ¹	
Standard Operating Pressure	Vacuum to 20 psi, Higher pressures available	
Seal Material	Chemraz®	
Lead Wires	15" (381mm) 26 Gauge Teflon® Coated	
Diaphragm Material	Teflon®, EPDM, Viton, or Chemraz®	

®Teflon and Tefzel are registered trademarks of DuPont Co.

®Chemraz is a registered trademark of Greene Tweed.

¹ Other ports available such as M6 x1.0 or 10-32, please consult factory.
Note: Please consult an application engineer for custom modifications.

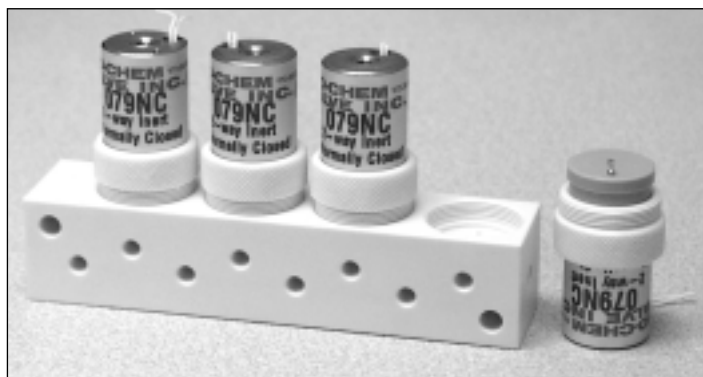
MOUNTING

- Valve can be screwed down finger tight using included mounting nut.
- See back for detailed drawing.

One of the attractions of the 079NC 2-way isolation valve is its ease of self-servicing. The convenience and versatility of a quick exchange of the 079NC valve assists in changing or upgrading the manifold block or valve without having to replace the entire unit.

These manifold valves are excellent for multi-liquid or gas control systems, employing aggressive or high purity fluids. Shown below is a linear configuration. Radial versions up to 12 operators are available.

Combine the 079NC with a manifold mountable version of any other Bio-Chem valve or pump and you can create your own custom fluid system. Our application engineers are available to assist your design effort.



Installation drawing on back

How to order the valves

Step

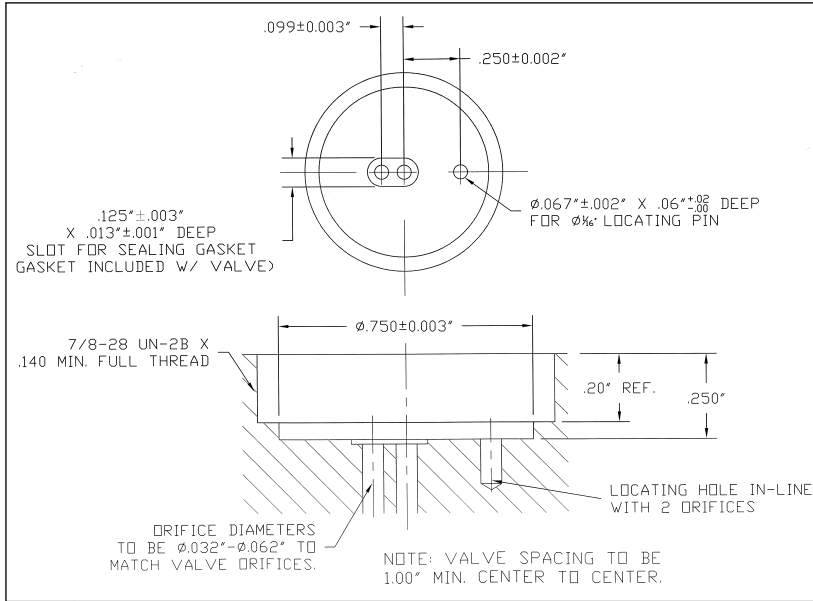
1	Series	079
2	Indicate Operating Configuration	NC
3	Indicate Voltage	12vdc, 24vdc, 115vac, 220vac
4	Orifice Diameter	.032", .062"
5	Body Material	Std. (TFE), 2 (TEFZEL), 4 (PPS), 5 (PEEK) 14 (Acrylic), 2-14 special order
6	Diaphragm Material	Std. (Teflon®), E (EPDM), V (Viton), C (Chemraz®)

Example: **P/N** **079** **NC** **24** - **32** - **5** **E**
Series Operating Position Volts Orifice Dia. Body Material Diaphragm Material
 (Leave these designators blank for Teflon®)

INSTALLATION DIMENSIONS

Series 08950M

MANIFOLD INTERFACE



How to order a manifold:

1	Series	089M
2	Number of Inlets	2, 3, 4, or 8
3	Geometry	Radial (std.), or Linear
4	Orifice Diameter	.032", .062"
5	Body Material	Std. (Teflon®), 2 (TEFZEL), 4 (PPS) 5 (PEEK), 14 (Acrylic), 2-14 special order

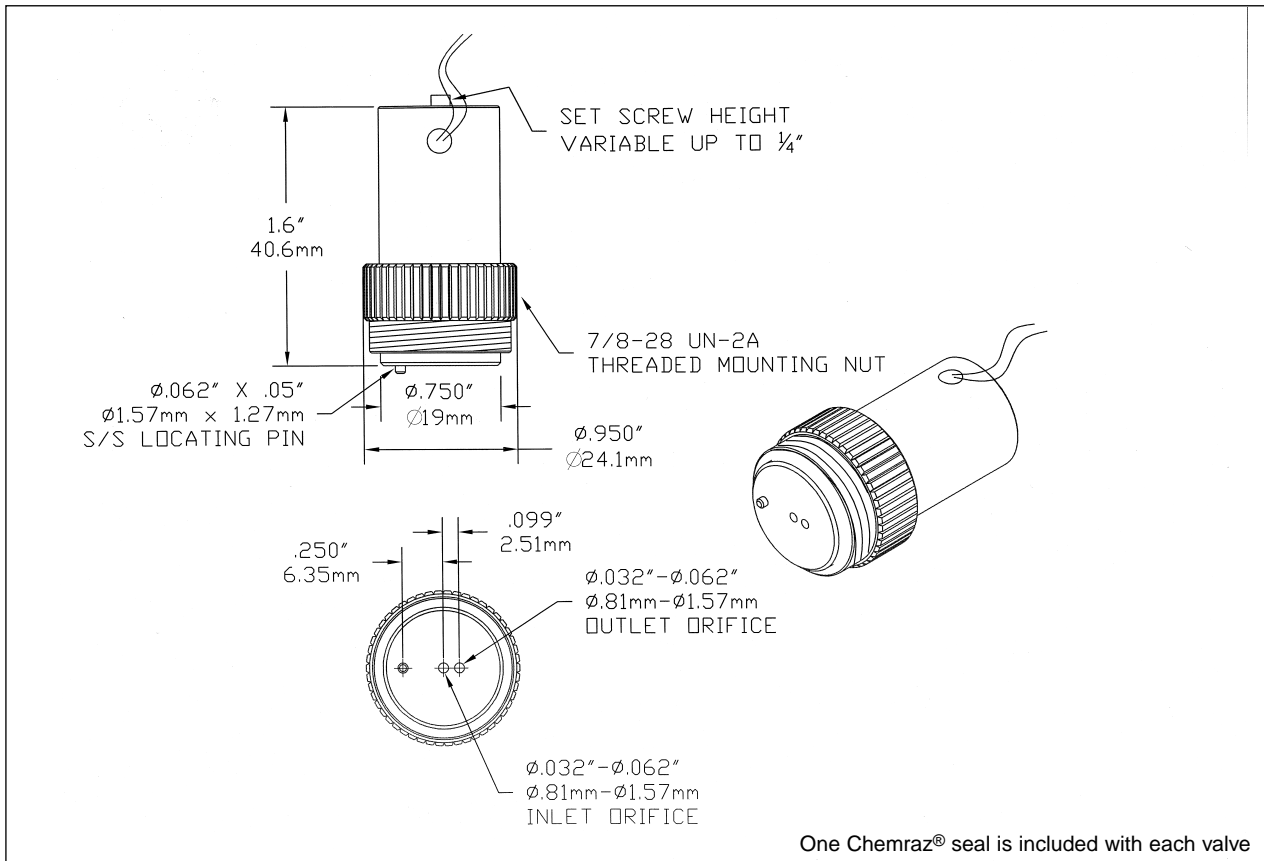
Example: P/N **08950M 4 L - 32 - 5**

Series	Inlets	Geometry	Orifice Dia.	Manifold Material
		(Leave this designator blank for Radial)		(Leave this designator blank for Teflon®)

Note: Please consult an application engineer for custom modifications

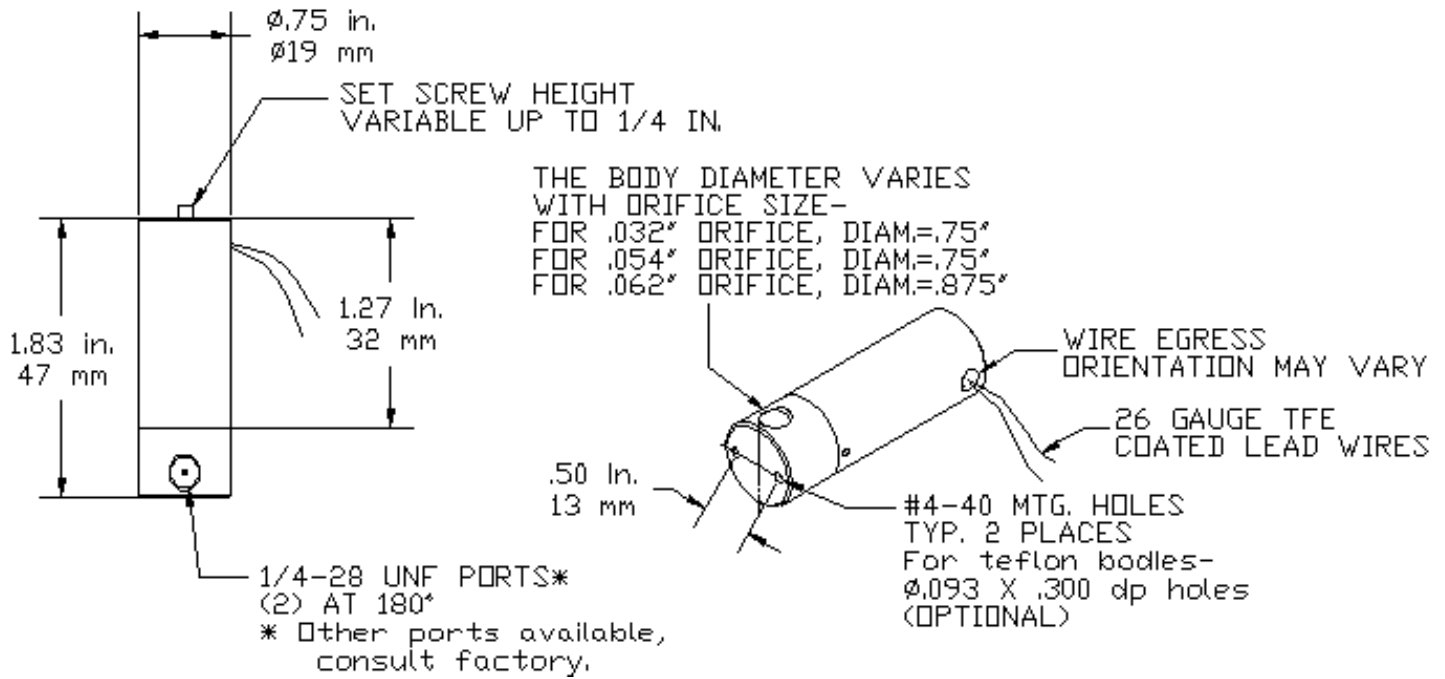
Series 079NC

INERT ISOLATION VALVE



One Chemraz® seal is included with each valve

075T2NC Isolation Valve



075T3MP Isolation Valve

