

### SOLENOID OPERATED TEFLON® ISOLATION MIXING VALVES

#### FEATURES

- Low Power Consumption
- Isolated Solenoid
- Continuous Duty
- High Cycle Life
- Minimal Dead Volume
- Fast Response Time
- Vacuum or Pressure Service
- Teflon® Wetted Parts
- All solenoid operators are adjusted for equal flows

#### SPECIFICATIONS

Series	080T	
Voltage	12 VDC	24 VDC
Power Watts @ 70°F. (21°C) <sup>1</sup>	2.6	2.6
Currents Amps @ 70°F. (21°C)	.22	.10
Orifice Dia. Options	.032" .062" .078" <sup>2</sup>	
Metric	.81mm 1.57mm 1.98mm	
Ports <sup>3</sup>	1/4-28 Flat Bottom	
Operating Pressure	Common Port Vacuum to 35psi • Inlet Ports Vacuum to 20 psi • Higher pressures available	
Lead Wires	15" (381mm) 26 Gauge Teflon® Coated	

#### DIMENSIONS

No. of Inlets	Body	Length <sup>4</sup>
2	7/8" dia.	3-1/8"
3	1-1/4" square	3-3/4"
4	1-1/4" square	3-3/4"
5	1-1/2" hex	4-1/16"
6	1-1/2" hex	4-1/16"
8	2.0" hex	4-1/2"

#### MOUNTING

- Clip mounting for 2 inlets.<sup>5</sup>
- Body mounting for 3 & 4 inlets. Two .156" (4mm) dia. holes at .560" (14.2 mm) centers
- Body mounting for 5 & 6 inlets. Two .156" (4mm) dia. hole at .625" (15.9mm) centers
- Body mounting for 8 inlets. Two .156" (4mm) holes at 1.00" (25.4mm) centers.

<sup>®</sup>Teflon and Tefzel are registered trademarks of DuPont Co.

<sup>®</sup>Chemraz is a registered trademark of Green Tweede & Co.

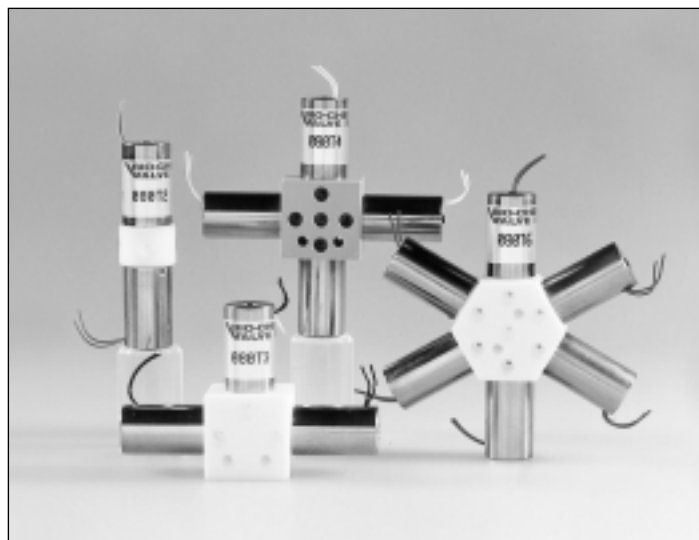
<sup>1</sup> Normally Open operators use 4.0 watt coils.

<sup>2</sup> Operating pressure for .078" orifice is vacuum to 10 psi.

<sup>3</sup> Other ports available such as M6 x1.0, 10-32, please consult factory.

<sup>4</sup> Dimension based on all Normally Closed operators.

<sup>5</sup> Dimensions of mounting clip can be found on Mounting Accessories and Options Sheet. Additional purchase required.



Installation drawings on back

Series 080T, 2-way normally closed standard. Normally open or combination of both available, consult factory. Available with:

- 2 inlets
  - 3 inlets
  - 4 inlets
  - 5 inlets
  - 6 inlets
  - 8 inlets
- } Common outlet port

These mixing valves are excellent for multi- liquid or gas control systems, with aggressive or high purity fluids.

PFA, Chemraz®, and EPDM are available as optional diaphragm materials.

#### How to order

Step

1	Select Valve Size	080
2	Indicate No. of Inlets (All valves have 1 common port) <sup>1</sup>	T2, T3, T4, T5, T6, T8
3	Indicate Voltage	12vdc, 24vdc, 115vac, 220vac
5	Indicate Orifice Diameter	.032", .062", .078" <sup>2</sup>
6	Body Material (Teflon® Standard) <sup>3</sup>	2 (TEFZEL®), 4 (PPS), 5 (PEEK)

<sup>1</sup> Valves requiring Normally Open operators please consult factory.

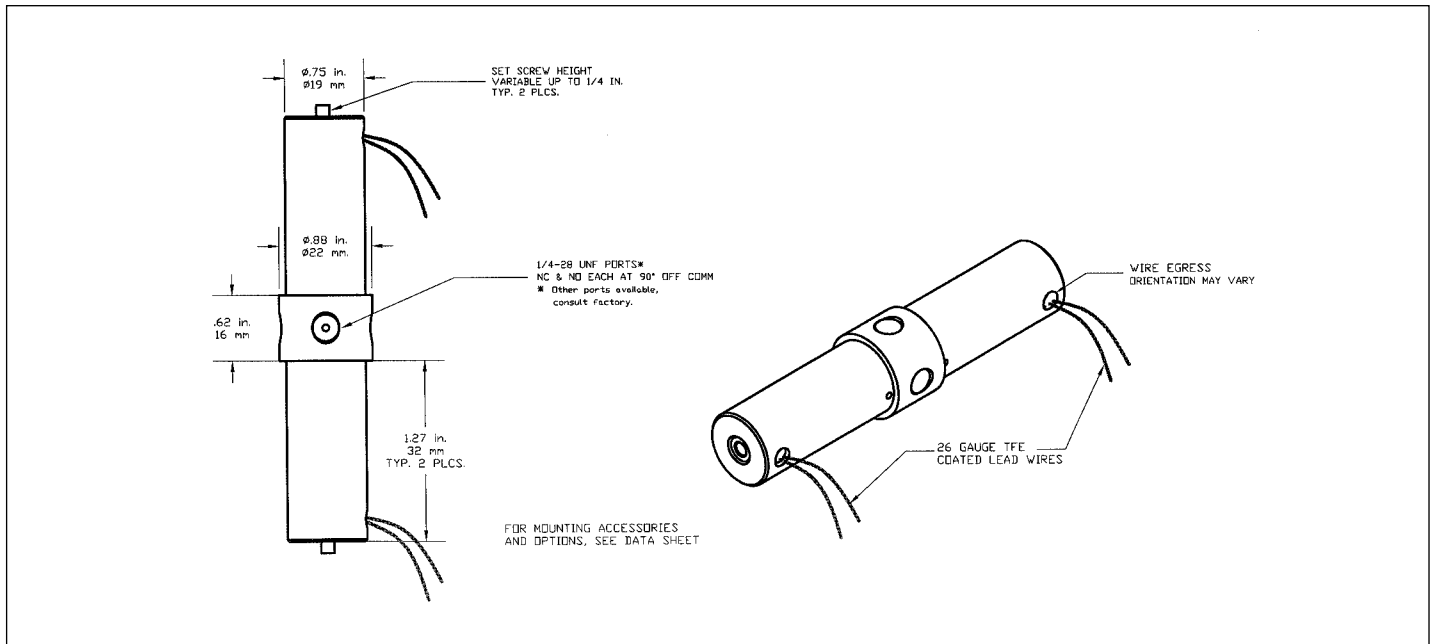
<sup>2</sup> Available only in 080T6 and 080T8 mixing valve.

<sup>3</sup> Body Materials 2-5 are special orders.

Example: P/N **080** **T3** **24** - **32** - **5**  
 Valve Size      Style      Volts      Orifice Dia.      Body Material

# INSTALLATION DIMENSIONS

## Series 080T2 Mixing Valve



## Series 080T4 Mixing Valve

