

### INERT SOLENOID OPERATED ISOLATION VALVES

#### FEATURES

- Low Power Consumption
- Isolated Solenoid
- High Cycle Life
- Minimal Dead Volume
- Continuous Duty
- Fast Response Time
- Teflon® Wetted Parts
- Fully Chemically Inert

#### SPECIFICATIONS

Series	075T			
Voltage	12 VDC		24 VDC	
Power Watts	2.6 <sup>1</sup>		2.6 <sup>1</sup>	
Currents Amps @ 70°F	0.22		0.10	
Orifice Diameter	.032"	.046" <sup>2</sup>	.054" <sup>3</sup>	.062" <sup>3</sup>
Metric	.81mm	1.17mm	1.37mm	1.57mm
Internal Volume 2-Way	.019cc	N/A	.039cc	.054cc
Internal Volume 3-Way	.045cc	.052cc	N/A	N/A
Operating Pressure 2-Way <sup>4</sup>	Vacuum – 20 psi (NC/NO)			
Operating Pressure 3-Way <sup>4</sup>	Vacuum – 15 psi (NC/NO) Vacuum – 30 psi (Common)			
Operating Pressure 3-Way <sup>4</sup> (Chemraz® wetted parts)	Vacuum – 10 psi (NC/NO) Vacuum – 25 psi (Common)			
Ports <sup>5</sup>	1/4-28 Flat Bottom			
Lead Wires	15" 26 Gauge Teflon® Coated			

®Teflon and Tefzel are registered trademarks of DuPont Co.

®Chemraz is a registered trademark of Greene Tweed & Co.

<sup>1</sup> Some configurations require higher wattage coils.

<sup>2</sup> Available in a 3-way configuration only.

<sup>3</sup> Available in a 2-way configuration only.

<sup>4</sup> Higher pressures available.

<sup>5</sup> Other ports available such as M6 X 1.0, or 10-32. Please consult factory.

#### DIMENSIONS

Series	Diameter	Height
075T2NC	3/4"	1-7/8"
075T2NO	3/4"	2-3/16"
075T3MP (Teflon Body)	7/8"	2-5/16"
075T3MP (Non-Teflon Body)	3/4"	2-3/8"

\*2-way .062" orifice is 7/8" dia.

NC = Normally Closed; NO = Normally Open; MP = Multi-Purpose

3-Way Valve

2-Way Valve



Installation drawings on back

Our unique design concept of diaphragm retention ensures the most reliable performance available. Available in 2-way normally closed, 2-way normally open, or 3-way multi-purpose configurations. These small valves are ideal for use with aggressive and high purity fluids. An all-Teflon® path is standard. Chemraz®, PFA, and EPDM are available as optional diaphragm materials. Available with a wide variety of body materials, these highly reliable valves can also be combined with Bio-Chem's patented manifold system to reduce the costs and assembly time in instrument design and production. Contact an application engineer for custom modifications.

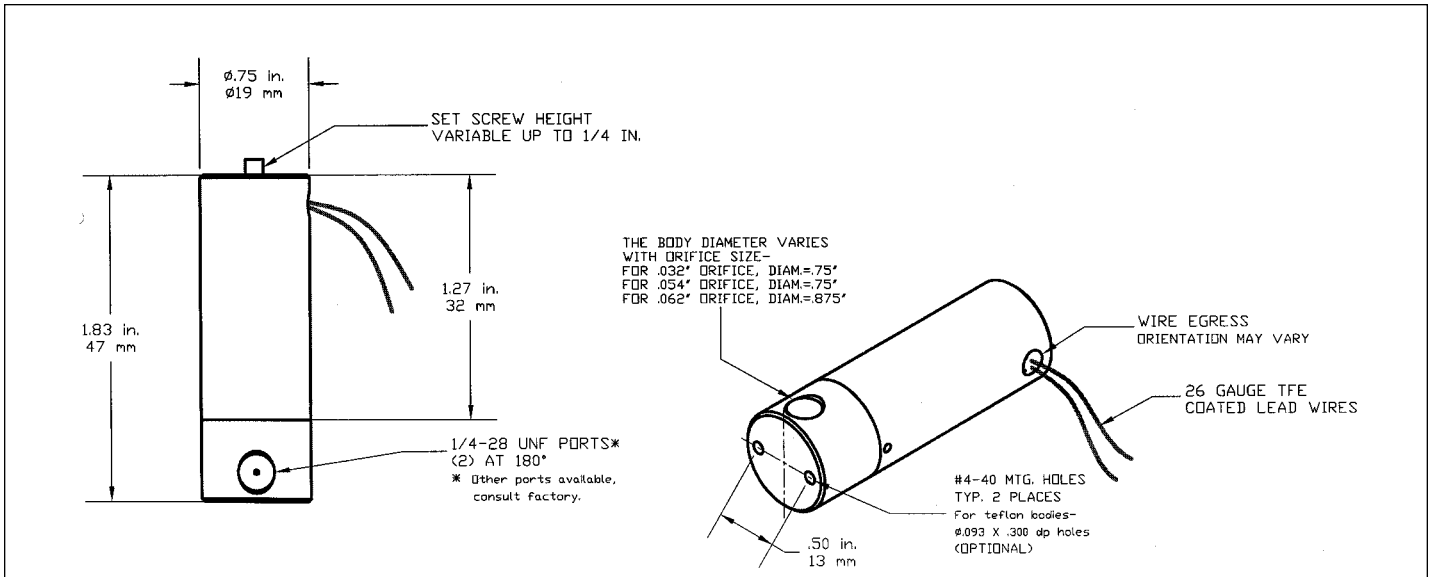
1	Select Valve Size	075
2	Indicate Style	T2, T3
3	Indicate Operating Configuration	NC, NO, MP
4	Indicate Voltage	12vdc, 24vdc, 115vac, 220vac
5	Indicate Orifice Diameter	.032", .046", .054" <sup>1</sup> , .062" <sup>1</sup>
6	Body Material (Teflon® Standard)	2 (TEFZEL®), 4 (PPS), 5 (PEEK)
7	Diaphragm Material (Teflon® Standard)	(Teflon), E (EPDM), P (Chemraz®), V (Viton)

<sup>1</sup> Available in a 2-way configuration only.

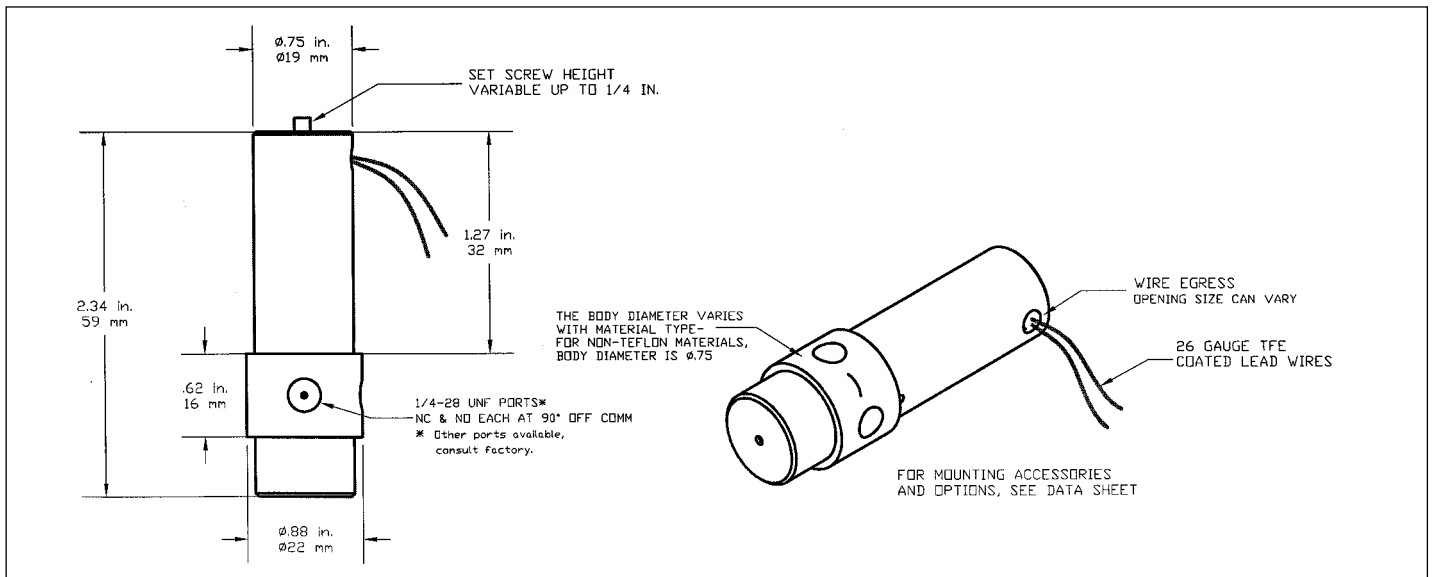
Example: **075** **T3** **MP** **24** - **32** - **5** **P**  
 Valve Size Style Operating Position Volts Orifice Dia. Body Material Diaphragm Material  
 (leave these designators blank for Teflon®)

# INSTALLATION DIMENSIONS

## Series 075T2NC Isolation Valve



## Series 075T3MP Isolation Valve



### WETTED PARTS OPTIONS:

075T2 ●      075T3 ◆

Body	Diaphragm			
	(Teflon)	E (EPDM)	V (Viton)	P (Chemraz)
1 (Teflon)	● ◆	●	●	●
2 (Tefzel)	●	●	●	●
4 (PPS)	● ◆	● ◆	●	● ◆
5 (PEEK)	● ◆	● ◆	●	● ◆