

SOLENOID OPERATED PINCH VALVES

FEATURES

- Low Power Consumption
- High Cycle Life
- Small Size
- Fast Response Time
- Zero Dead Volume
- Highest Flow
- Easily Replaceable Tubing
- Chemically Resistant Tubing

SPECIFICATIONS

Series	075P	
Voltage	12 VDC	24 VDC
Power Watts @ 70°F. (21°C)	2.6 ¹	2.6 ¹
Currents Amps @ 70°F. (21°C)	.22	.10
Weight	2 oz.	
Lead Wires	15" (381mm) 26 Gauge Teflon® Coated	
Tube Material	Silicone (S); Bio-Chem(B); or Custom	
Tube Length	2-Way: 12" (305mm) Standard Length 3-Way: 2-6" Sections With "Y" Connector	

®Teflon is a registered trademarks of DuPont Co.

¹ -01 silicone tubing in 3-way uses a 3.5 watt coil

TUBING

Dash No.	I.D.	O.D.	Wall	Maximum Pressure
-01	1/32 (0.81mm)	3/32	1/32	15 psi
-01-50	.050 (1.27mm)	.134	.042	15 psi
-02	1/16 (1.59mm)	1/8	1/32	15 psi

DIMENSIONS

Series	Diameter	Height
075P2	3/4"	1-7/8" NC 2-3/16" NO
075P3	3/4"	2-1/8" MP

NC = Normally Closed; NO = Normally Open

MP = Multi-Purpose (1 NC & 1 NO position)

MOUNTING

See Mounting Accessories and Options Sheet.



Installation drawings on back

Patent No. 4,524,802

These small pinch valves handle standard tube sizes from 1/32 I.D. to 1/16 I.D. Larger and smaller tubing is available as a custom order. Tubing is easily replaced without removing valve from your system. Available in 2-way normally closed, normally open, or 3-way multi-purpose configurations. The 3-way permits various fluid arrangements including 2 inlets or 2 outlets.

Select Silicone or Bio-Chem tubing, or specify your own.

How to order

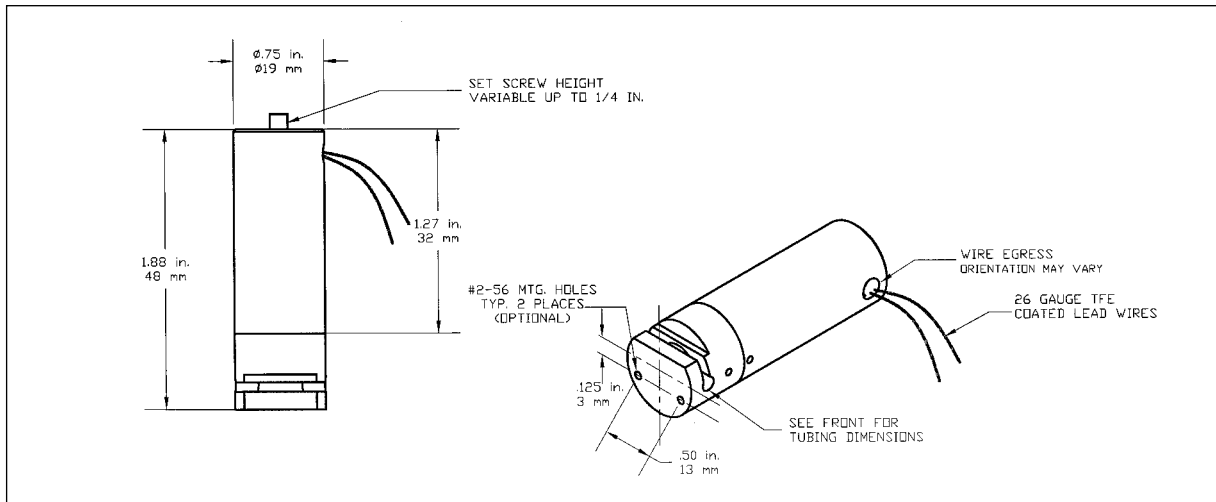
Step

1	Select Valve Size	075
2	Indicate Style	P2, P3
3	Indicate Operating Configuration	NC, NO, MP
4	Indicate Voltage	12vdc, 24vdc, 115vac, 220vac
5	Indicate Tube Size	01, 01-50, 02
6	Indicate Tubing Material	S (Silicone); B (Bio-Chem)

Example: P/N **075** **P3** **MP** **12** - **02** **B**
 | | | | | |
 Valve Style Operating Volts Tube Tube
 Size Position Size Material

INSTALLATION DIMENSIONS

Series 075P2NC Pinch Valve



Series 075P3 Pinch Valve

