

SOLENOID OPERATED MICRO ISOLATION VALVE

FEATURES

- Compact Size
- 3 body configurations
- Low Power Consumption
- Isolated Solenoid
- High Cycle Life
- Low Internal Volume
- Continuous Duty
- Fast Response Time
- Vacuum or Pressure Service
- Teflon® with PEEK or PPS Wetted Parts
- Alternative materials available

SPECIFICATIONS

Series	038T, 039T		
Voltage	12 VDC	24 VDC	
Power (Watts)	2.0	2.0	
Current (Amps @ 70° F)	0.17	0.08	
Orifice Diameter	.032"	.054"	
	.80mm	1.40mm	
Operating Pressure	Vacuum – 20 psi		
Electrical Connections	Dual Pin		
	038T2B	038T2S	039T2M
Internal Volume	.018 cc	.020 cc	.013 cc
Weight	19 gm	18 gm	12 gm
Ports ¹	1/4-28 flat bottom port or manifold mount		

®Teflon is a registered trademark of DuPont Co.

¹ Other ports available, please consult factory.

DIMENSIONS

Series	Body Style	Body Width	Shell Diameter	Overall Height
038T2B	Bottom Ported	0.40"	0.38"	2.17"
038T2S	Side Ported	0.40"	0.38"	2.11"
039T2M	Manifold Mountable	0.50"	0.38"	1.75"



A compact, micro-miniature solenoid-operated inert isolation valve reduces the footprint typically required by standard isolation valves. Installation drawings on back.

This 2-Way Normally Closed isolation valve is available in three innovative body designs: side ported, bottom ported, or manifold mountable. Measuring only 3/8" in diameter, two designs incorporate a rectangular body with 1/4 - 28 flat bottom ports. The manifold mountable version can be combined with your existing manifold design or one of our custom built manifolds for an efficient pre-assembled, space-saving module that meets your specific flow schematic. This design comes with a screw-in collar for easy assembly and exchange.

The valve is constructed of PEEK or PPS with Teflon wetted materials, and designed for low power consumption. Please contact an applications engineer for customized modifications.

How to order:

Step

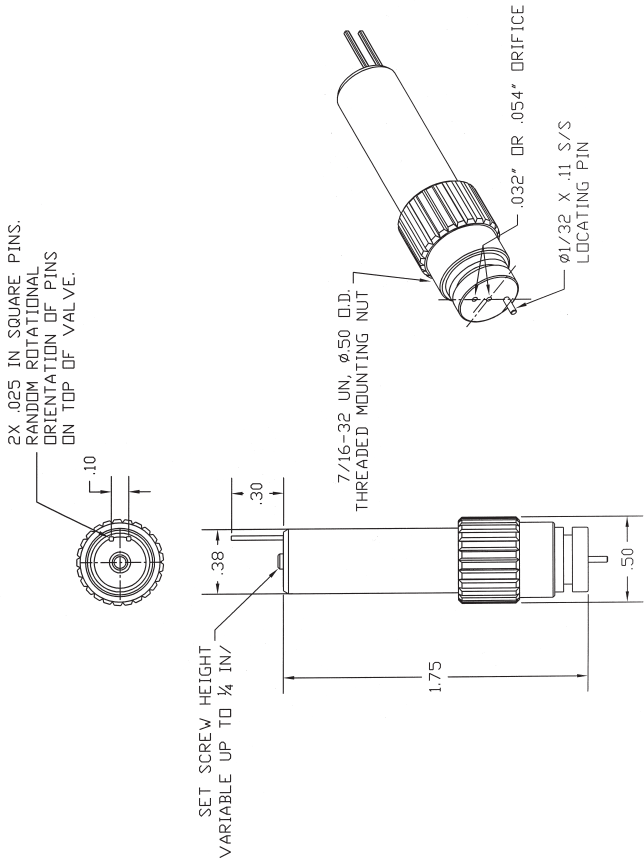
1	Select Valve Size	038, 039
2	Indicate Style	T2B (bottom ported), T2S (side ported), T2M (manifold mount)
3	Indicate Voltage	12vdc, 24vdc
4	Indicate Orifice Diameter	.032", .054"
5	Body Material	4 (PPS), 5 (PEEK)

Note: Lead wire assembly is available. (P/N LWA) 15" of TFE coated, 26 AWG lead wire with Molex connector.

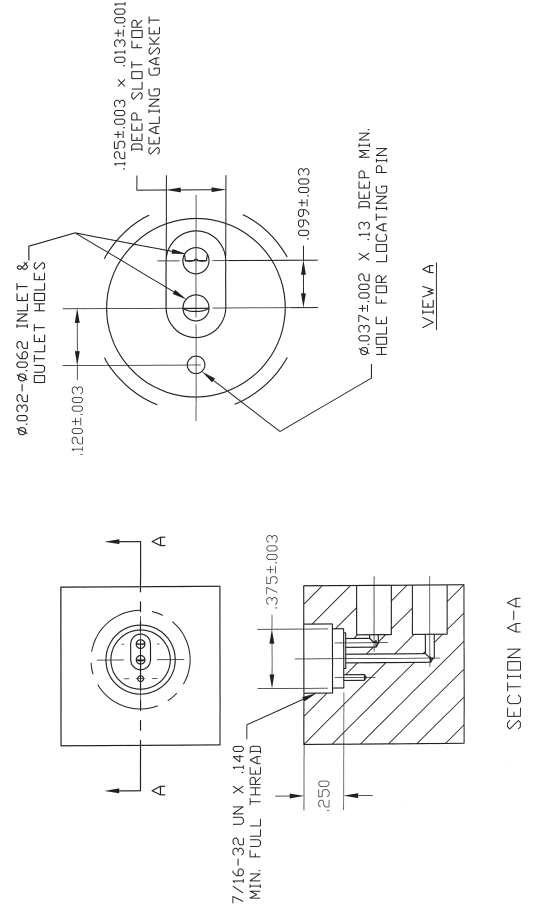
Example: P/N **038** **T2B** **24** - **32** - **5**
 Valve Size Style Volts Orifice Dia. Body Material

INSTALLATION DIMENSIONS

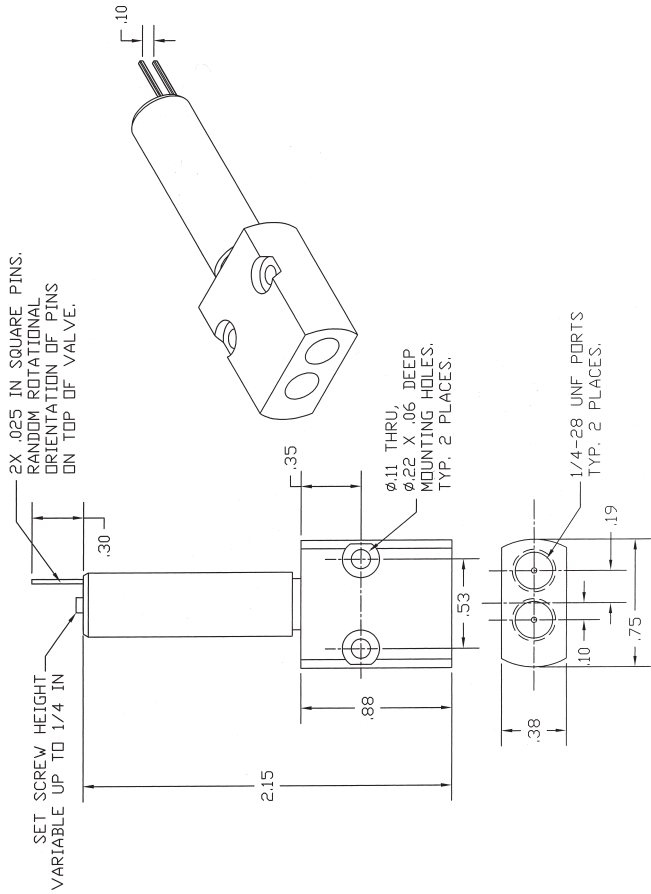
Manifold Mountable



Manifold Interface



Bottom Ported



Side Ported

