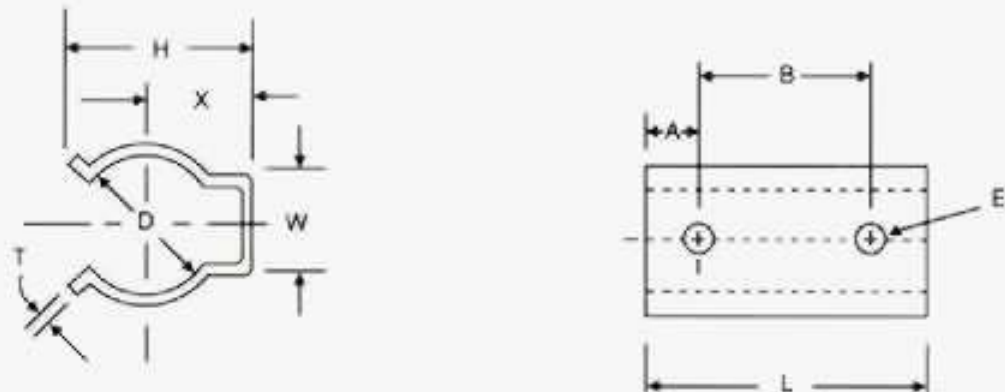
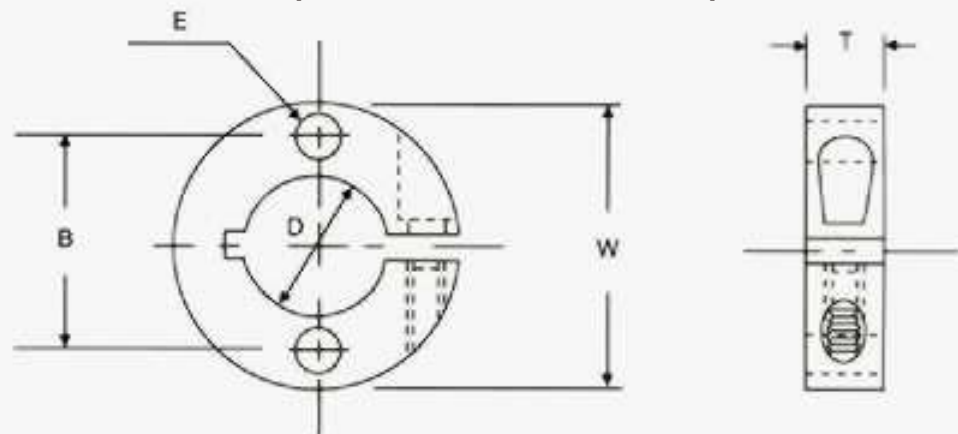


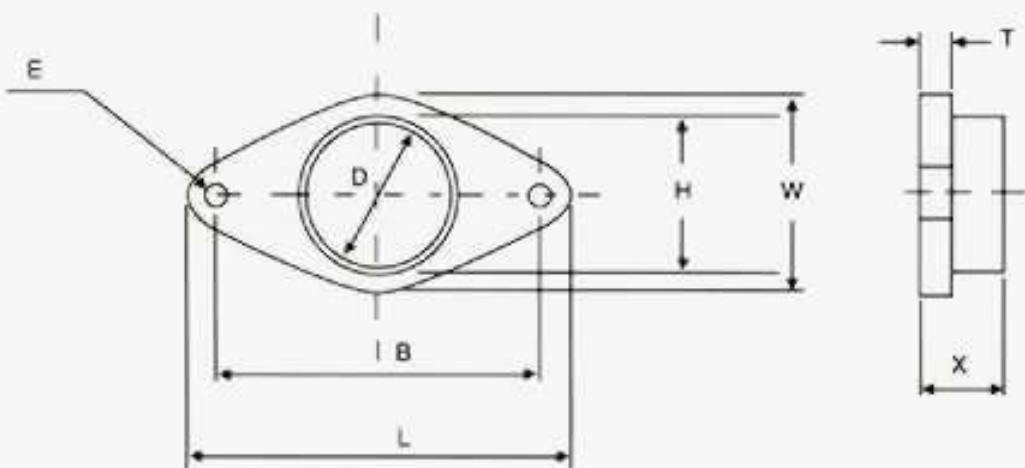
MOUNTING CLIP (MC) (Material: Spring Steel)



MOUNTING RING (MR) (Material: Aluminum)



MOUNTING FLANGE (MF) (Material: Polyethylene)



P/N	A	B	D	E	H	L	T	W	X
MC-075	.187	.375	.750	.130	.800	.750	.020	.420	.440
.lac.loo	.137	.375 t.ooo		.144	1,133	.Tso	.o32	.510	.6es
MF-075		1.250	.750	.125	.810	1.687	.110	1.000	.320
~F-100		1.625	1,000	.125	1.060	2.123	.12S	~.S12	.~
MR-075		1.125	750	.1~				500	1500
MR-100		1.375	1.000	.196			.500	1 . 7 ~	
MR-150		1.875	1.500	.196			.565	2.250	

TUBING - Bio-Chem offers our customers medical grade silicone tubing or Bio-Chem's thermoplastic elastomer tubing. We recommend Bio-Chem Tubing as it is more chemically inert than silicone and has a much longer service life. Ask for our biocompatibility and chemical resistance chart for Bio-Chem tubing. When ordering pinch valves, please specify which tubing is desired BIO-CHEM (B) or SILICONE (S).

BOTTOM MOUNTING (add "M" to the end of P/N)

TEFLON VALVES MOUNTING DIMENSIONS

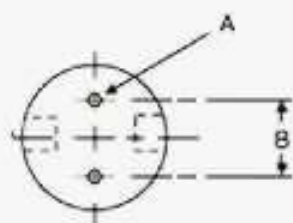
Series	"A" Thread	"B" Center
075T2	#4**	.500
075T3	#4-40	.687
100T2	#4**	.687
100T3	#4-40	.687

PINCH VALVES MOUNTING DIMENSIONS

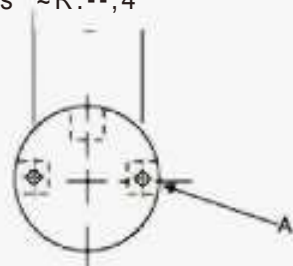
Series	"A" Thread	"B" Center	"C"
075P2	#2-56	.500	.125
.100P2	#4-40	.687	.218
150P2	#6-32	1.000	.375

For P3 Series consult factory

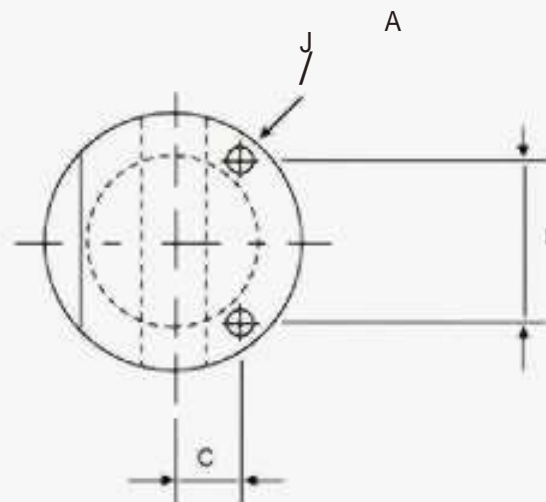
"Teflon Body: .093 x .300 dp holes for #4 self tapping screws
All other body materials: 4-40 x .250 dp threaded holes ~R.--,4



075T2 & 100T2
2 WAY



075T3 & 100T3
3 WAY



WARRANTY

Bio-Chem Valve Corporation products are warranted for a period of one year from date of shipment. Bio-Chem Valve Corp. is not responsible for damage to its products through improper installation, maintenance, use or attempts to operate them beyond their mechanical or electrical capacity, intentionally or otherwise, or for unauthorized repair.

Bio-Chem Valve Corp. shall not be liable for any indirect, special, incidental or consequential damages resulting from the use, failure or malfunction of any product and our liability is limited to the reimbursement of the cost of the product.